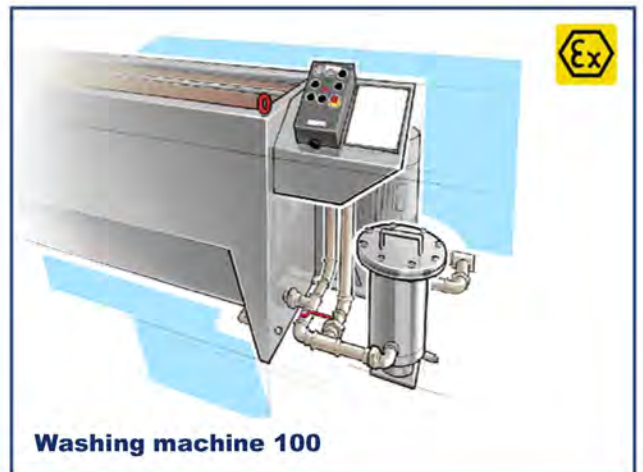
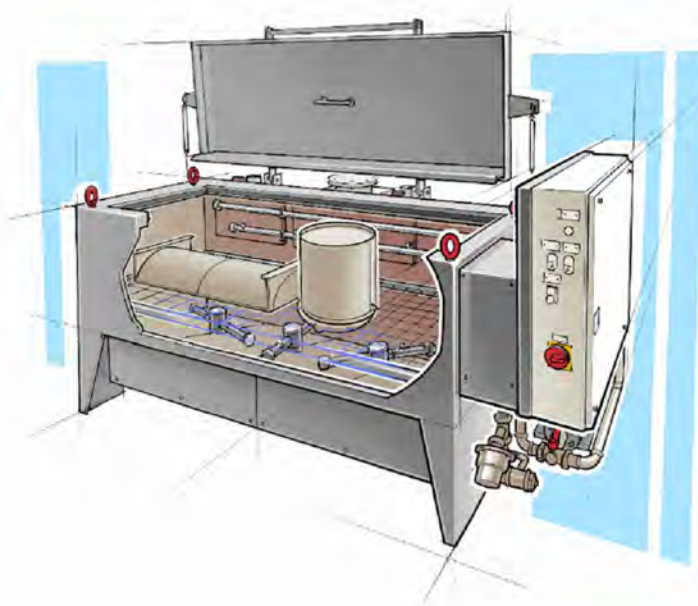




Washing machine Type 100 and CLEANflex

Cleans printing press parts such as ink pans, ink containers, doctor blades, screen rollers and other parts with solvent or with alkaline water-based cleaners. Good cleaning results due to a rotating spraying system with a powerful washing pump. The solvent tank is separated from the washing chamber; hence emissions are considerably reduced. The machine can be adapted to various tasks with the appropriate accessories. The solvent washing machine is type-examined and explosion-proof (category 1/2) in accordance with ATEX.



Dimension:

usable width:	600 mm
usable height:	400 mm
usable length:	600 / 1200 / 1800 mm



Items to be washed



cleaning process



cleaning agents



REPRESENTED IN THE U.S. BY:



Max Daetwyler Corporation
13420 Reese Blvd. West
Huntersville, NC 28078

Tel: 704-875-1200
Fax: 704-875-0781
E-Mail: cleaningtech@daetwyler.com