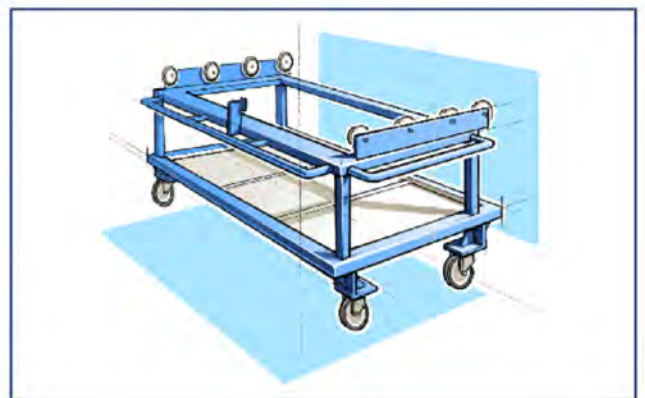
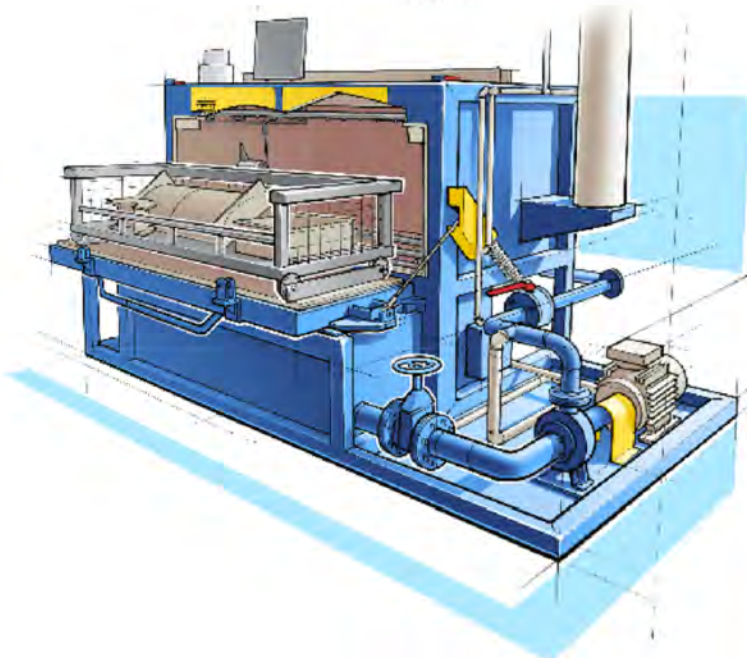




Washing machine Type 3400

Cleans printing press parts such as ink pans, ink containers, doctor blades and other parts with solvent or with alkaline water-based cleaners. During the washing operation, the parts are sprayed with solvent by spray pipes oscillating around their longitudinal axes. Very good cleaning results due to short spraying distance and a powerful washing pump. The solvent tank is separated from the washing chamber; hence emissions are considerably reduced. The machine can be adapted to various tasks with the appropriate accessories. The solvent washing machine is type-examined and explosion-proof (category 1/2) in accordance with ATEX.



Dimension:

Usable width:	900 mm
Usable height:	500 mm
Usable length:	1500 / 2000 / 2500 / 3000 mm



Items to be washed



cleaning agents



cleaning agents



REPRESENTED IN THE U.S. BY:



Max Daetwyler Corporation
13420 Reese Blvd. West
Huntersville, NC 28078

Tel: 704-875-1200
Fax: 704-875-0781
E-Mail: cleaningtech@daetwyler.com